



MAKE THE RIGHT LIGHT



CWCE



The Main Characteristics

- Smart control
- Energy saving
- Environmental protection
- Fast response

Street Light

STL30-180W

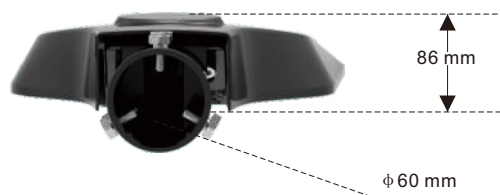
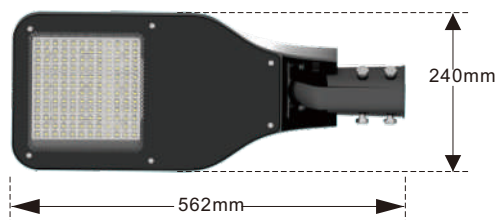


Street Light

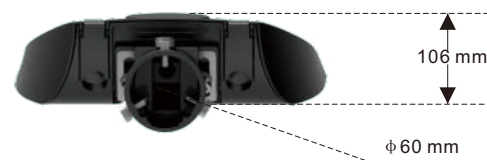
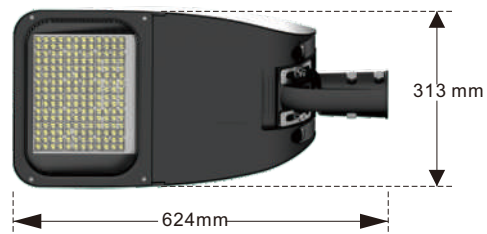
External design

GTL LIGHTING (SHENZHEN) CO., LTD

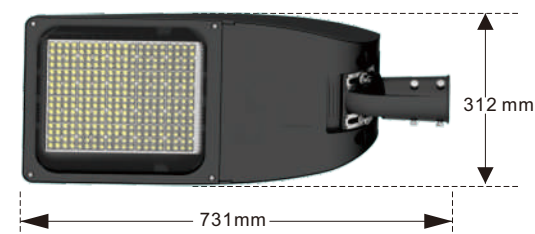
STL30/60W



STL90W



STL120/150/180W

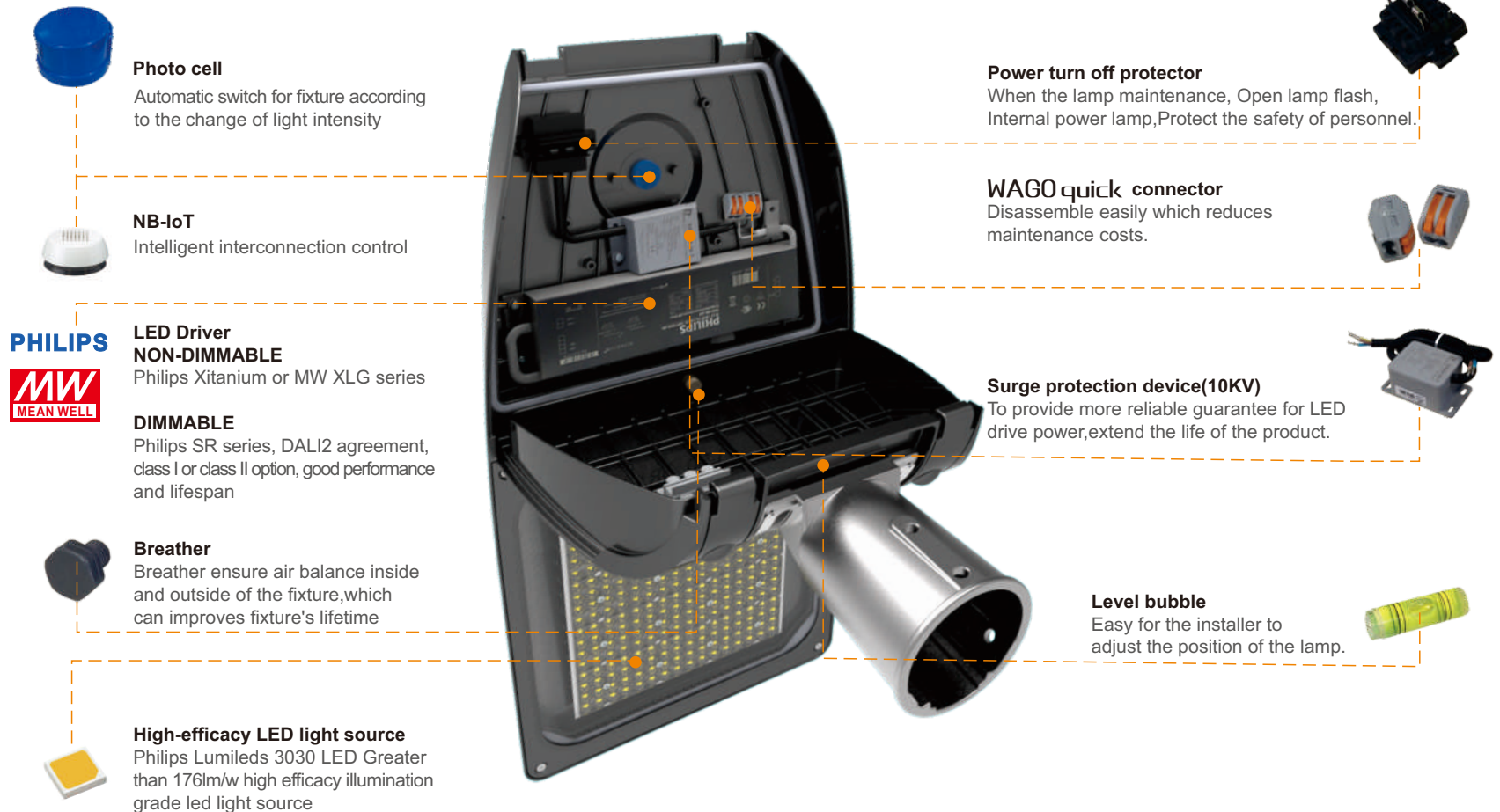


<http://www.gtlighting.com/>

Street Light

Detail description

GTL LIGHTING (SHENZHEN) CO., LTD



<http://www.gttlighting.com/>

Street Light

Electrical parameters

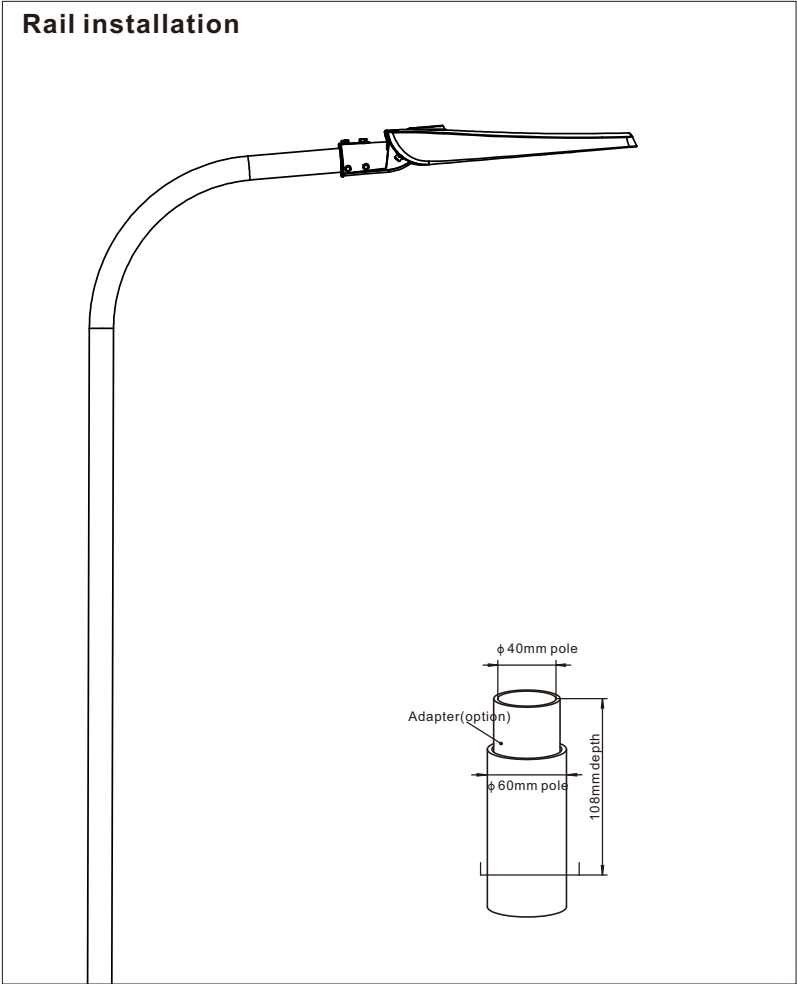
GTL LIGHTING (S H E N Z H E N) C O . , L T D

Series	Model	Power	Luminaire efficacy (+/- 5%)	Lumen Output (+/- 5%)(5700K)	Input Voltage	LED Brand	Driver Brand	Light Distributions	CCT (K)	Surge Protection Device	Lifetime (h)
STL one-S	STL one-30W	30W	140lm/w	4200lm	220-240Vac 50/60Hz	CREE Philips 3030	Mean Well Philips	ME1~ME5	3000 4000 5000 5700	10KV	50000h L70B50
	STL one-60W	60W		8400lm							
STL one-M	STL one-90W	90W		12600lm							
STL one-L	STL one-120W	120W		16800lm							
	STL one-150W	150W		21000lm							
	STL one-180W	180W		25200lm							

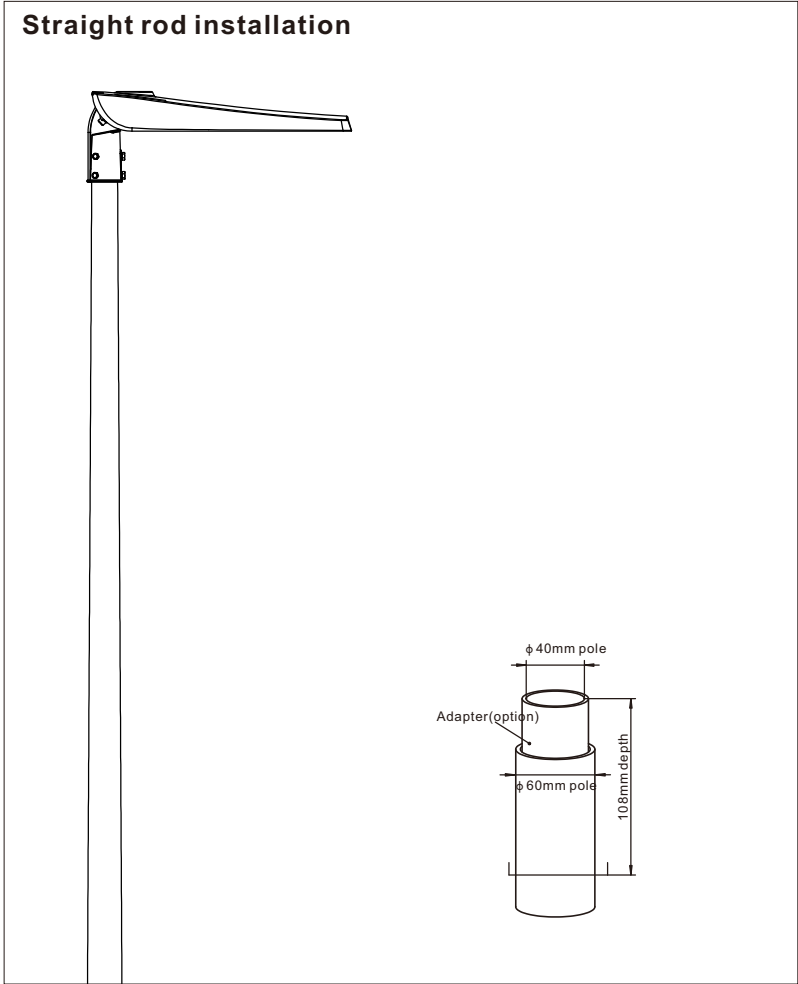
Series	Model	Working Environment	Storage Temperature	Rating	CRI	PF	Material	Pole Diameter	Product Dimensions(mm)	Carton size(mm)	N.W(kg)	G.W (kg)
STL one-S	STL-30W	-40~50°C	-40~85°C	IP66 IK08 Class I	>70	>0.95	Dia-casting housing; Low-iron tempered glass; PMMA lens	40/60mm	562*240*86	631*318*169	4.3	5.5
	STL-60W											
STL one-M	STL-90W								624*313*106	700*390*190	6	7.2
STL one-L	STL-120W								731*312*106	800*390*190	7.8	9
	STL-150W											
	STL-180W											

<http://www.gttlighting.com/>

Rail installation



Straight rod installation

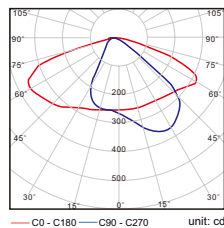
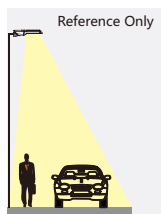


Multiple Light Distribution Options

Street light has a wide range of applications and also these light distribution curves have strict requirements. In order to meet these professional requirements and to comply with the CIE140/EN13201/CJJ45 standard, we designed two different light distribution. Under the premise of meeting the requirements of safe and comfortable lighting and general use of the product, the road with different road widths should be covered with less light as much as possible.

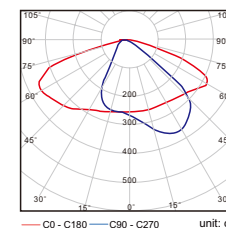
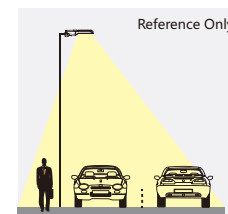
ME1 and ME2 are suitable for multi-lane arterial roads and expressways.

ME3, ME4 and ME5 are suitable for two-lane or single-lane roads and side roads.



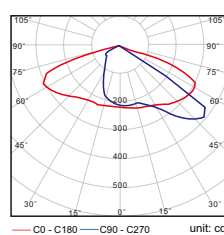
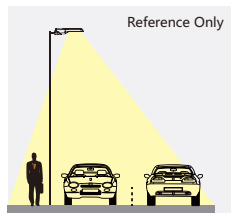
Single-lane carriageway

This narrow distribution is great for lighting walkways, path and sidewalks. Spacing height ratio of luminary can reach 3.8, according CIE140/EN13201 requirement (ME3~ME5), those parameters [Lav,U0,UI,TI,SR] are passed in Dialux simulation.



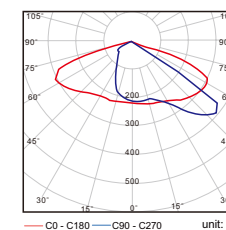
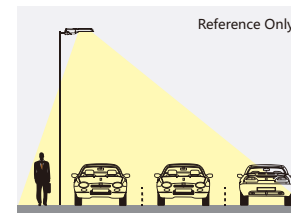
Two-lane carriageway

The narrow distribution also can be used to two-lane carriageway. you can use to apply wide walkways, access road and side roads. Spacing height ratio of luminary can reach 3.8, according CIE140/EN13201 requirement (ME3~ME5), those parameters [Lav,U0,UI,TI,SR] are passed in Dialux simulation.



Two-lane carriageway

The wide distribution is great for expressways, multi-lane arterial roads. Spacing height ratio of luminary can reach 3.5. According CIE140/EN13201 requirement (ME1~ME2), those parameters [Lav,U0,UI,TI,SR] are passed in Dialux simulation.



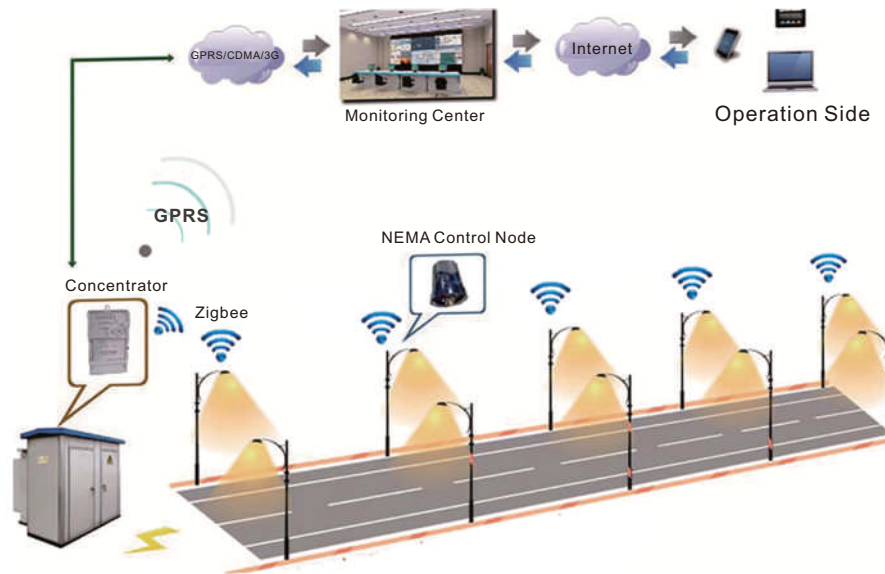
Multi-lane carriageway

The wide distribution also can be used to multi-lane carriageway. You can use to apply multi-lane arterial roads. Spacing height ratio of luminary can reach 3.5. According CIE140/EN13201 requirement (ME1~ME2), those parameters [Lav,U0,UI,TI,SR] are passed in Dialux simulation.

Street Light

Intelligent street lighting system

GTL LIGHTING (SHENZHEN) CO., LTD

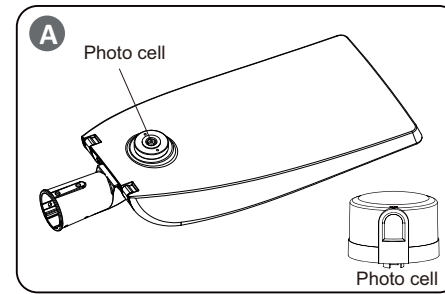


We provides a total solution for intelligence street lighting system.

The street light intelligence system is consist of software, concentrator, terminal controller. The concentrator controller is installed in the distribution cabinet, the terminal controller is installed in the lighting terminal. It proceeds with communication via GPRS/CDMA/WCDMA wireless network or cable network & monitor center and proceeds with communication via ZIGBEE/PLC. Concentrator controller can control each terminal controller via receiving, executing, forwarding PC management software ,which can control each lamp's switching on /off or dimming ,then save electric energy. It can also monitor the lamps' electric energy to achieve failure lamps function. Concentrator controller can built-in DO to achieve street light loop control, it can connect with other equipment to collect local illumination, temperature and other information, feedback to PC management software and achieve to monitor the current information.

Optical Control

Optical control function is supported by optional



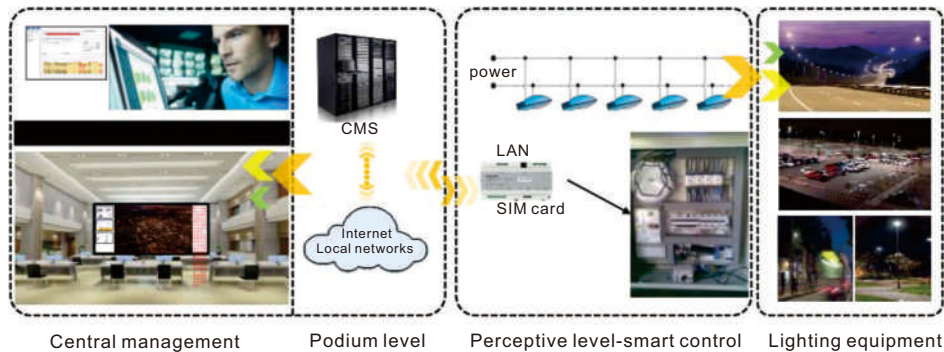
If the fixture with PHOTO CONTROL function, the Photo Receptacle will be installed on the cover of fixture. See A. Fit the pins of Photo Sensor to Photo Receptacle, firmly insert and rotate Photo Sensor to proper position.

<Verifying>

Make sure all the connections done and photo control is well installed on the fixture, switch on the power supply and cover the window of photo sensor, wait 5 seconds, the fixture will be turned on.

<http://www.gtlighting.com/>

Basic framework of intelligent lighting system



PHILIPS CityTouch flex

This system consists of four parts, our intelligent street lamp, signal processing center, Internet or local server, and central application management. The intelligent street lamp and the signal processor communicate through GPRS/GSM, and then upload the information to the cloud server or local server, which is managed or analyzed by the street lamp manager. Conversely, street lamp managers can also send instructions to precisely control each street lamp.

NB-IoT lighting has many advantages. It can bring together a variety of sensing technologies. Able to communicate with a single light. Able to partition, switch and dimmer in the cloud. Able to seamlessly connect to third-party devices for energy management.

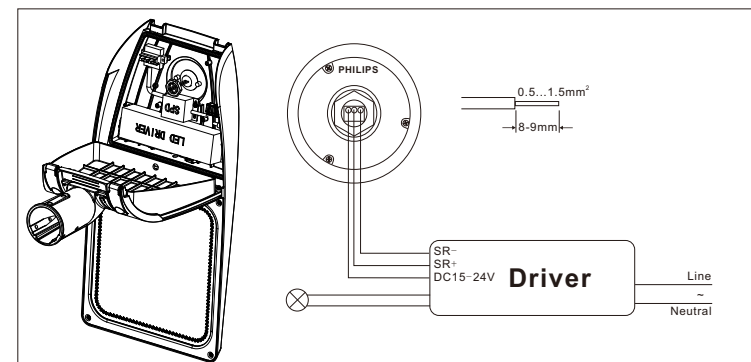
Optical Control

Optical control function is supported by optional

If the fixture has NB-IoT function, the iLCU6020 will be installed on the housing of fixture. See A. Open the housing of luminary and then fixed the sensor to housing, then lock the nut. Connect the wire between iLCU6020 and driver (PHILIPS SR driver). Close the housing

<Verifying>

Make sure all the connections done and iLCU6020 is well installed on the housing, Scan fixture's ID card and upload to system management software. Open the software to test and manage fixture




<http://www.gttlighting.com/>

Surge Protection Device

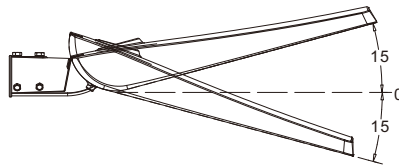
Type	Nominal input voltage (V)	Protection level Up (L-N) (kV)	Protection level Up (LN-GND) (kV)	Open circuit voltage Uoc (kV)	Nominal surge current In (kA)
RPM220-10/T	230~240V	≤1.5KV	≤1.5KV	10KV	5KA
Type	Maximum surge current I _{max} (kA)	Number of surges, maximum current	Insulation classification	Open Circuit Voltage U (kV)	Application
RPM220-10/T	10KA		Class I	10KV	Build-in use only

General product characteristics
 T ambient (°C): -40 to +70 °C
 Tcase life (°C): +80 °C

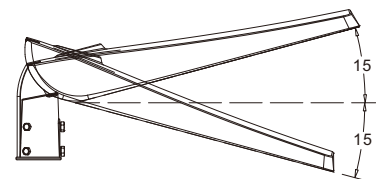


Flexible Fitter

Adjustable tilt angle: ±0-5-10-15°



Horizontal Installation



Vertical Installation

Configuration

Product name	Product category	Power	CRI	CCT	Distribution	Control	SPD
STL	Street Light	20*/30/40*/60/70*W	>70	2700*/ 3000K	ME1-ME5	ON/OFF DALI	YES
		90/100*W	>80*	4000/ 5000K	Type1*-Type5*	Photo cell*	
		120/150/180W		5700/ 6500*K		NB-IoT*	

"*" Able to be customized, and please contact PM directly

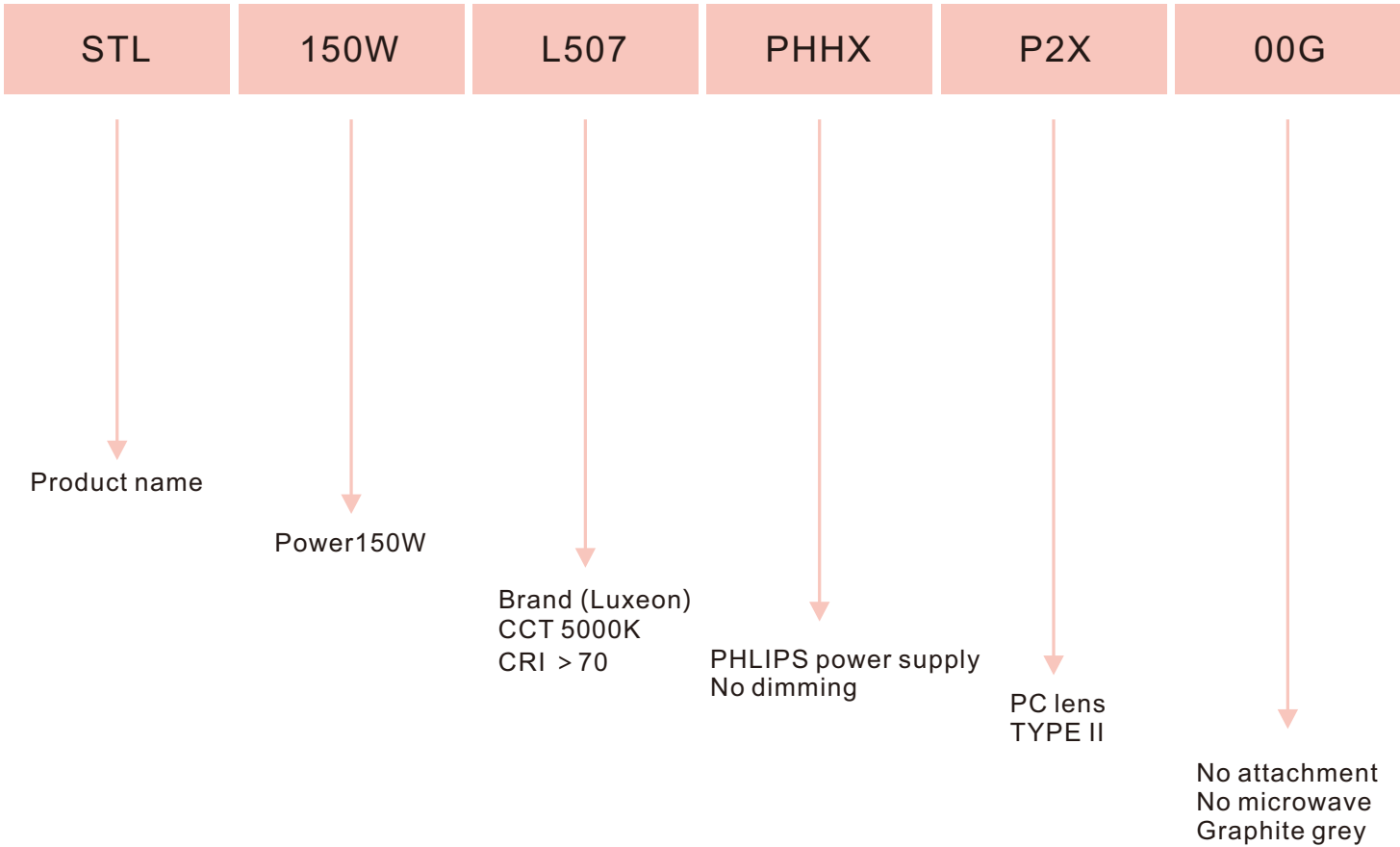
Customizable table

	Current	Certification Available	Possibility	Note
Power	30/60/90/120/ 150/180W	TBD	20/40/70/100W	The custom code
CCT	3000/4000/ 5000/5700K	TBD	2700/6500K	The luminous flux will change due to CCT
Beam Angle	ME1-ME5	TBD	Type1-Type5	
CRI	> 70	TBD	> 80	The luminous flux will change due to CRI
Control	ON/OFF DALI	TBD	Photo cell NB-IoT	

Street Light

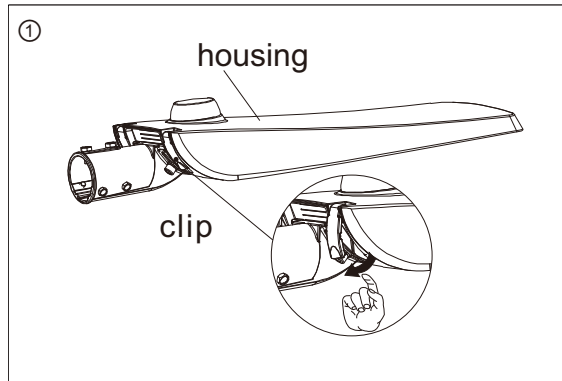
Model description

GTL LIGHTING (S H E N Z H E N) C O . , L T D

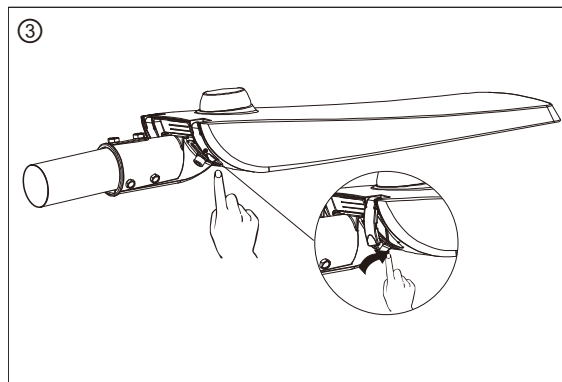


<http://www.gtlighting.com/>

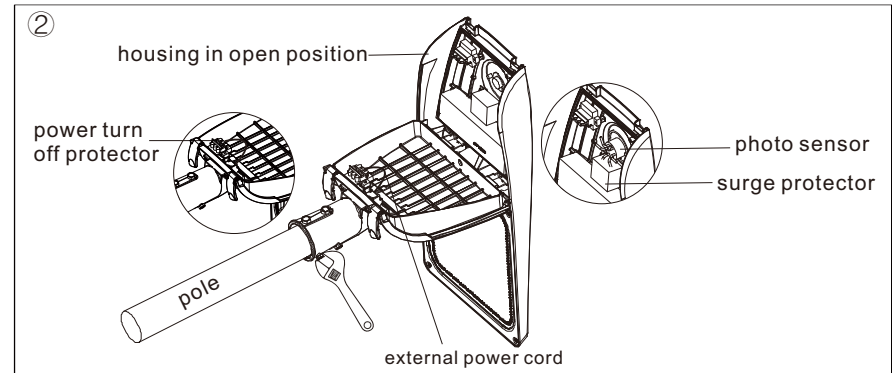
Installation figure



STEP 1:
Open the left and right clips on the back of the luminaire. See ①.

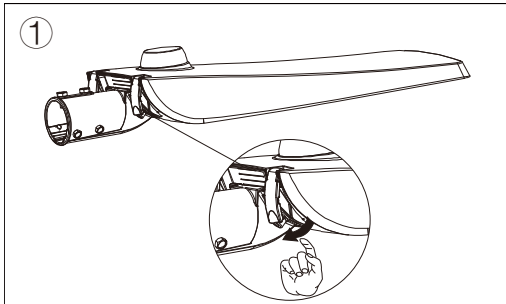


STEP 3:
Close the housing and clips. See ③.

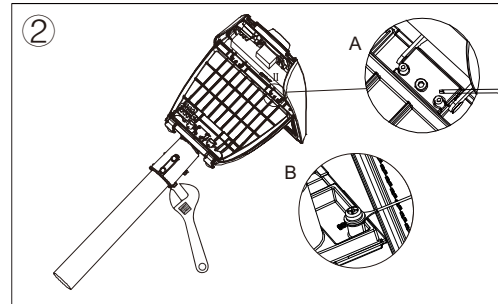


STEP 2:
Insert the pole and external power cord into the luminaire cavity. Thread the power cord through the PG11 wiring harness retainer. connect the external power cord to the power turn off protector plug and complete the electrical connections. Keep the base in horizontal level. Fix the luminaire and pole by wrench. See ②.

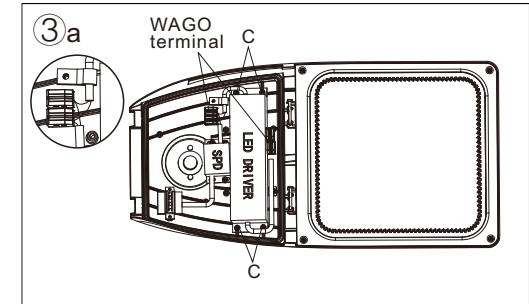
Maintain figure



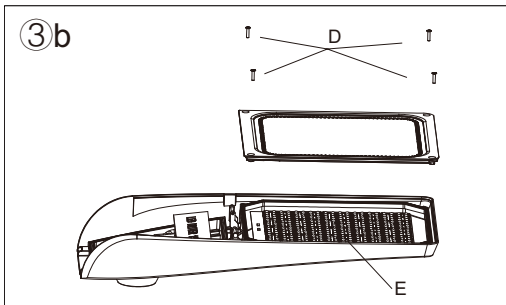
STEP 1:
Opening clips on the back of luminaire (see 1)



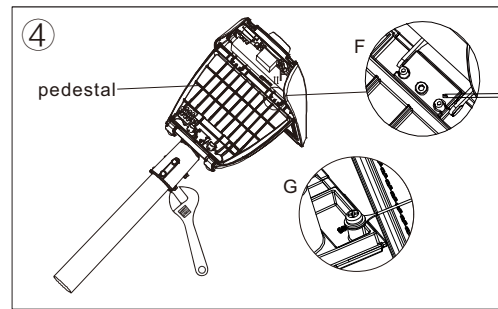
STEP 2:
Keep the housing in open position, loosen two hexagon socket screw(see A) and unscrew the screw (see B), then take the housing down.



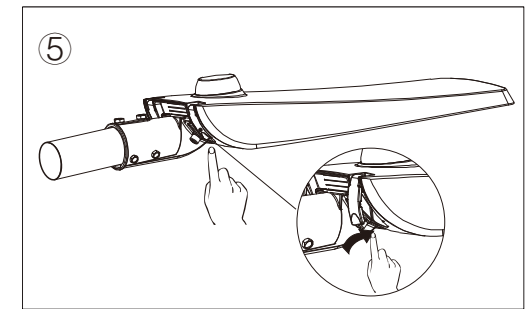
STEP 3a:
Take out driver's input wire and output wire from terminal. Unscrew four M4*8mm screws(see C) by cross screwdriver, take the failed driver down and replace a new one.




STEP3b:
Take out light engine's wire from the terminal, unscrew four M4*16mm screws (see D) and then take down the front cover. unscrew all M3*6 screws(see E) to take down the failed PCBA, and then mount a new PCBA, tighten all M3*6 screws by screwdriver. Mount front cover on the housing and tighten four M4*16 screws.



STEP 4:
Mount housing to pedestal, tighten the screw (see F and G) step by step.



STEP 5:
Close the housing and clips. Maintenance finished.



It's easy to find us
You can contact us in the following ways or leave us a message.
+86 755-23245019

GTL LIGHTING(SHEN ZHEN)CO.,LTD.

Address: zone A, floor 9, building 1, no. 28 cuijing road,
longtian street, pingshan new district, shenzhen city
Website: www.gtlighting.com